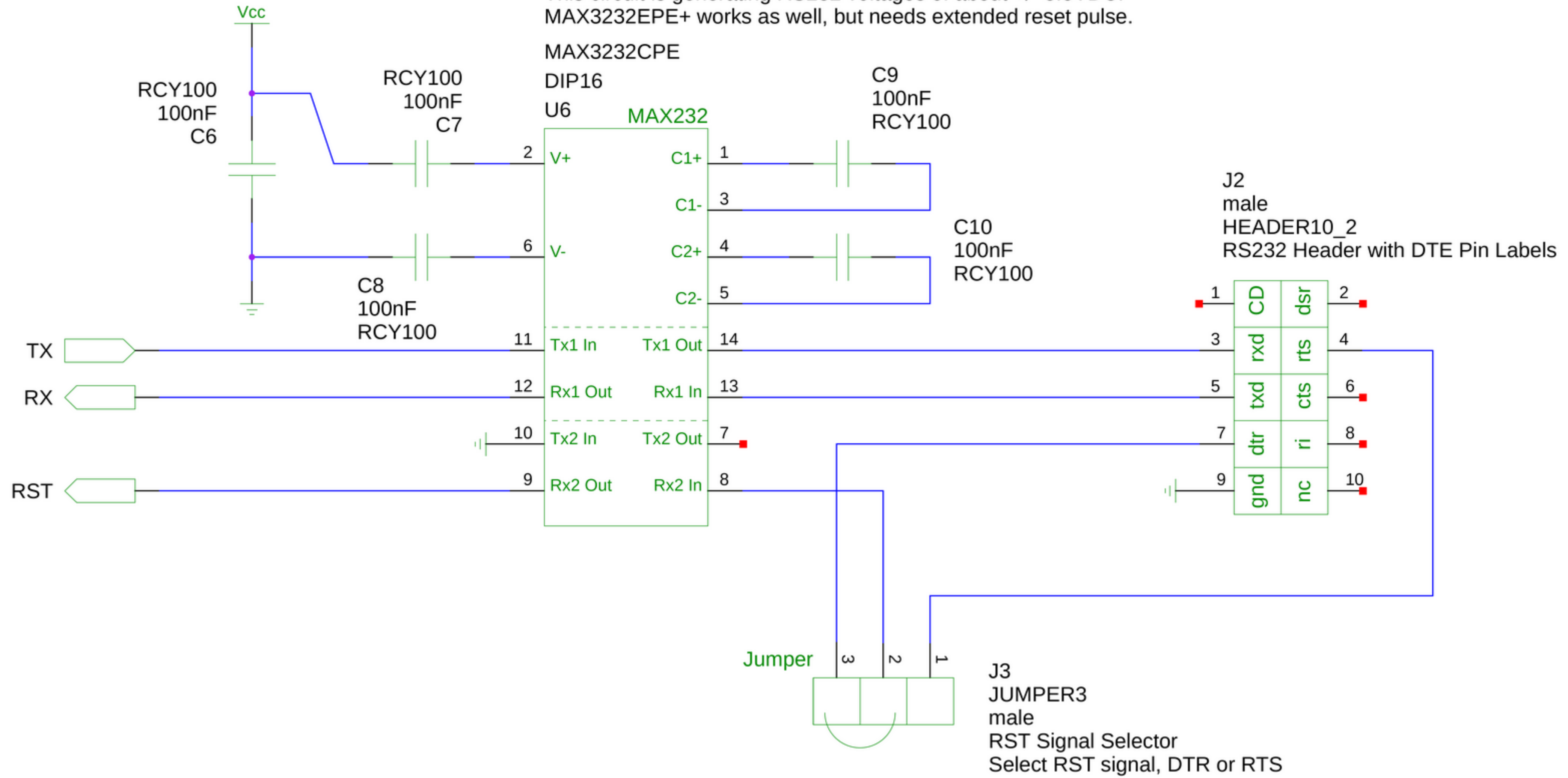


This circuit is generating RS232 voltages of about +/- 5.5VDC.
 MAX3232EPE+ works as well, but needs extended reset pulse.



RS232 Pinheader

TITLE	RS232 Pinheader		
FILE:	chipflasher-page06.sch	REVISION:	v0.6.9-0-77f27802 (master)
PAGE	OF	DRAWN BY:	kmx

Zerocat Chipflasher

Flash free firmware, kick the Management Engine.
[git://zerocat.org/zerocat/projects/chipflasher](https://zerocat.org/zerocat/projects/chipflasher)