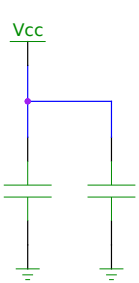


Blocking Cap for P8X32A.
001ACYF0001 1T1C



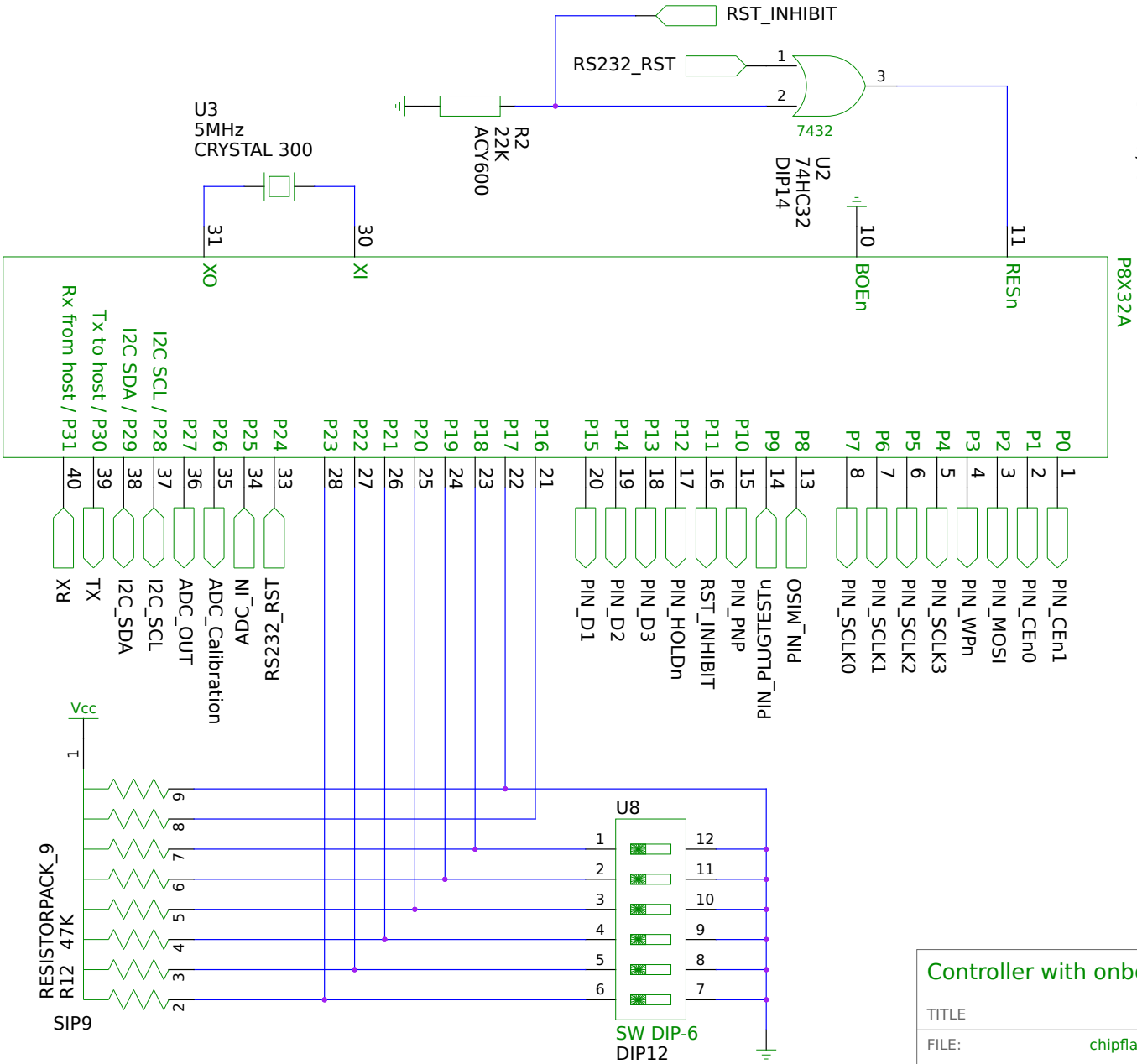
Blocking Cap for P8X32A.
001ACYF0001 1T1C



Blocking Cap for 74HC32.
001ACYF0001 1T1C

This chip is precious, use socket.
If Vdd falls below +2.7V, all pins become tristate.
In order to decouple Vdd, use two 100nF caps, one left, one right.
RESn is pulled up through 5K when BOEn is low.

Vcc:12,32
GND:9,29

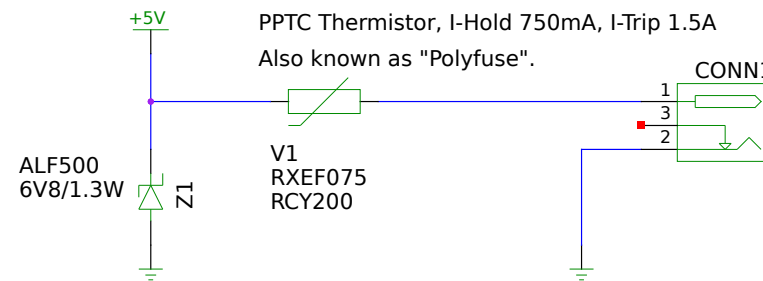


Controller with onboard RAM

ZeroCAT Chipflasher

Flash free firmware, kick the Management Engine.
git://zerocat.org/zerocat/projects/chipflasher

TITLE		
FILE:	chipflasher-page01.sch	REVISION: v2.0.5-18-05a6c4fe7 (master)
PAGE	OF	DRAWN BY: kmx

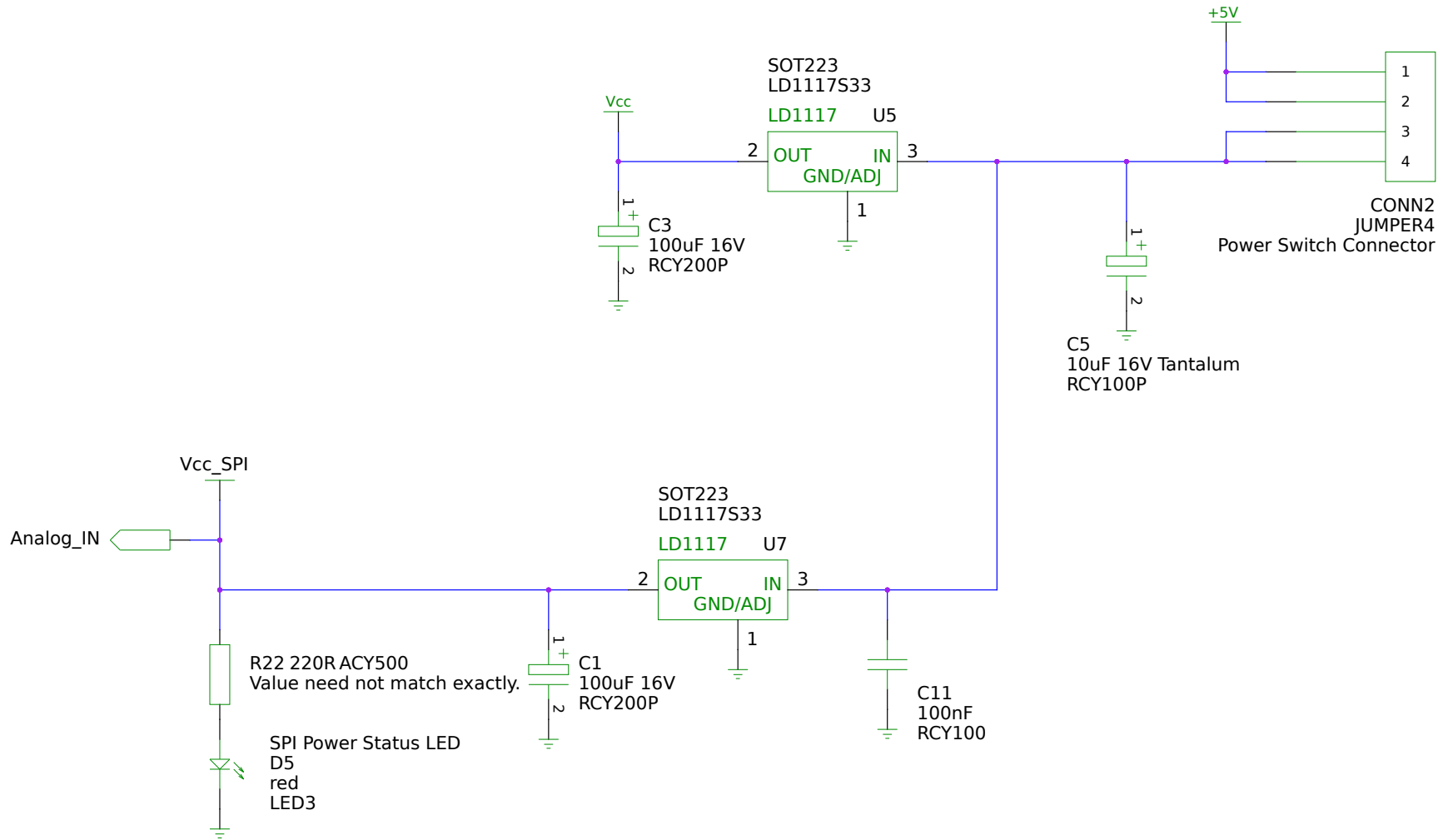


Power Input

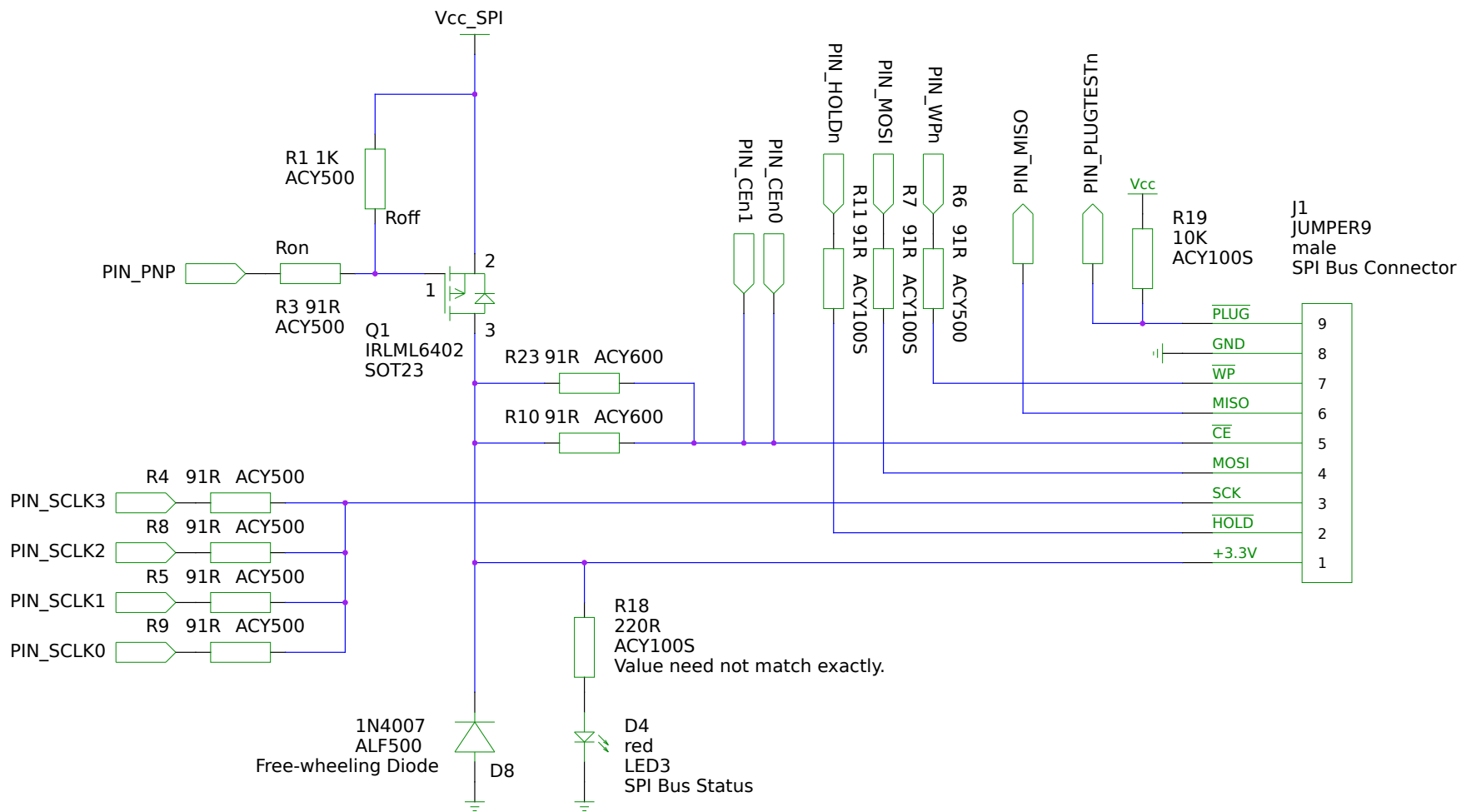
Zerocat Chipflasher

Flash free firmware, kick the Management Engine.
[git://zerocat.org/zerocat/projects/chipflasher](https://zerocat.org/zerocat/projects/chipflasher)

TITLE			
FILE:	chipflasher-page02.sch	REVISION:	v2.0.5-18-05a6c4fe7 (master)
PAGE	OF	DRAWN BY:	kmx



Voltage Regulators		Zerocat Chipflasher	
TITLE		Flash free firmware, kick the Management Engine. git://zerocat.org/zerocat/projects/chipflasher	
FILE:	chipflasher-page03.sch	REVISION:	v2.0.5-18-05a6c4fe7 (master)
PAGE	OF	DRAWN BY:	kmx



SPI Bus

Zerocat Chipflasher

Flash free firmware, kick the Management Engine.

[git://zerocat.org/zerocat/projects/chipflasher](https://zerocat.org/zerocat/projects/chipflasher)

TITLE

FILE:

chipflasher-page04.sch

REVISION:

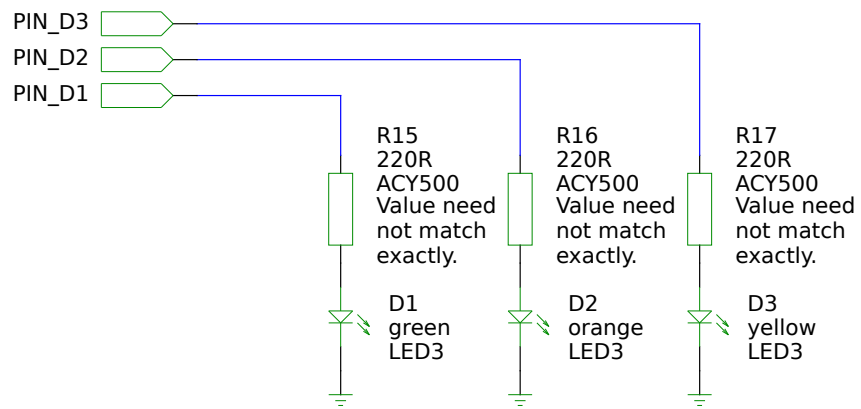
v2.0.5-18-05a6c4fe7 (master)

PAGE

OF

DRAWN BY:

kmx

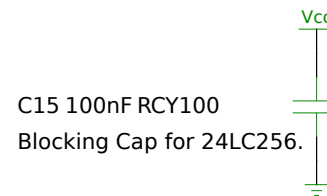
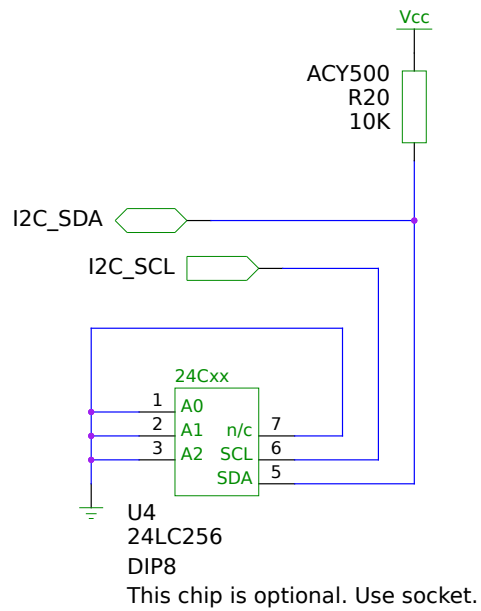


Software Status LEDs

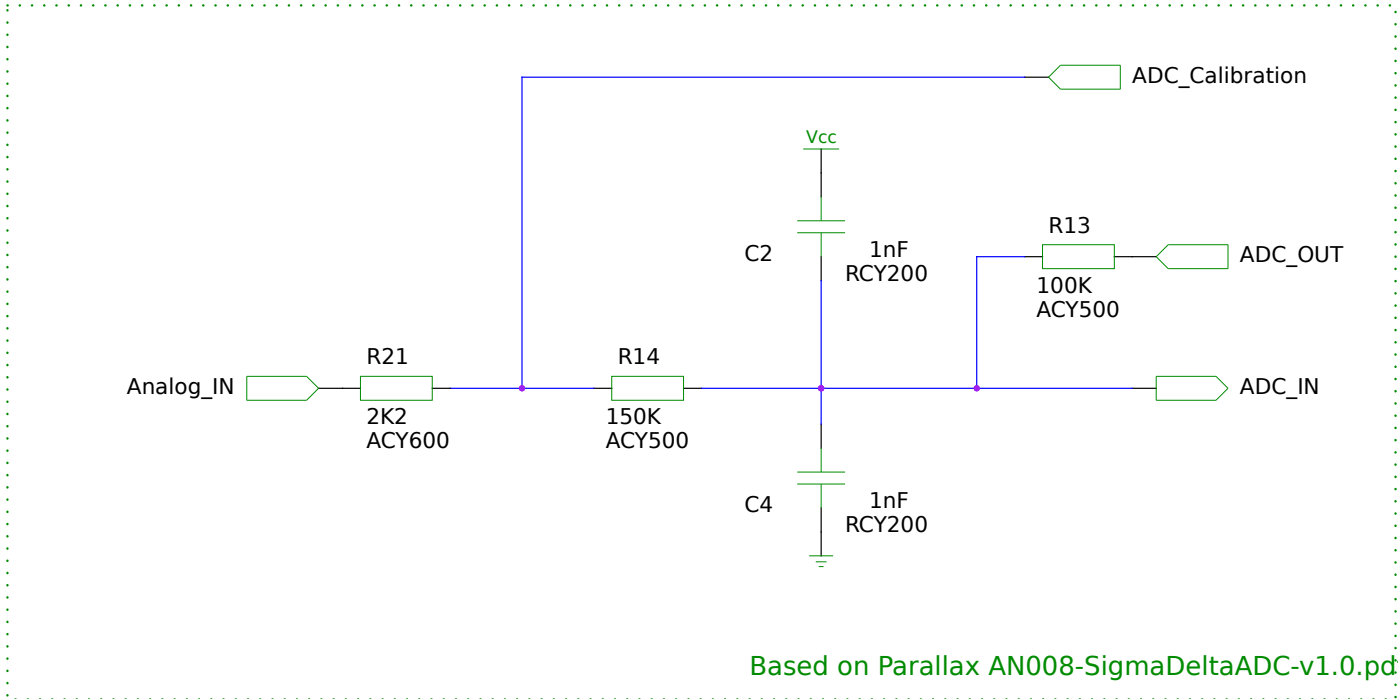
Zerocat Chipflasher

Flash free firmware, kick the Management Engine.
[git://zerocat.org/zerocat/projects/chipflasher](https://zerocat.org/zerocat/projects/chipflasher)

TITLE		
FILE:	chipflasher-page05.sch	REVISION: v2.0.5-18-05a6c4fe7 (master)
PAGE	OF	DRAWN BY: kmx



Serial EEPROM (optional)		Zerocat Chipflasher	
		Flash free firmware, kick the Management Engine. git://zerocat.org/zerocat/projects/chipflasher	
TITLE		REVISION:	v2.0.5-18-05a6c4fe7 (master)
FILE:	chipflasher-page07.sch	DRAWN BY:	kmx
PAGE	OF		



Sigma-delta ADC Circuit

Zerocat Chipflasher

Flash free firmware, kick the Management Engine.
[git://zerocat.org/zerocat/projects/chipflasher](https://zerocat.org/zerocat/projects/chipflasher)

TITLE			
FILE:	chipflasher-page08.sch	REVISION:	v2.0.5-18-05a6c4fe7 (master)
PAGE	OF	DRAWN BY:	kmx