

USB Power

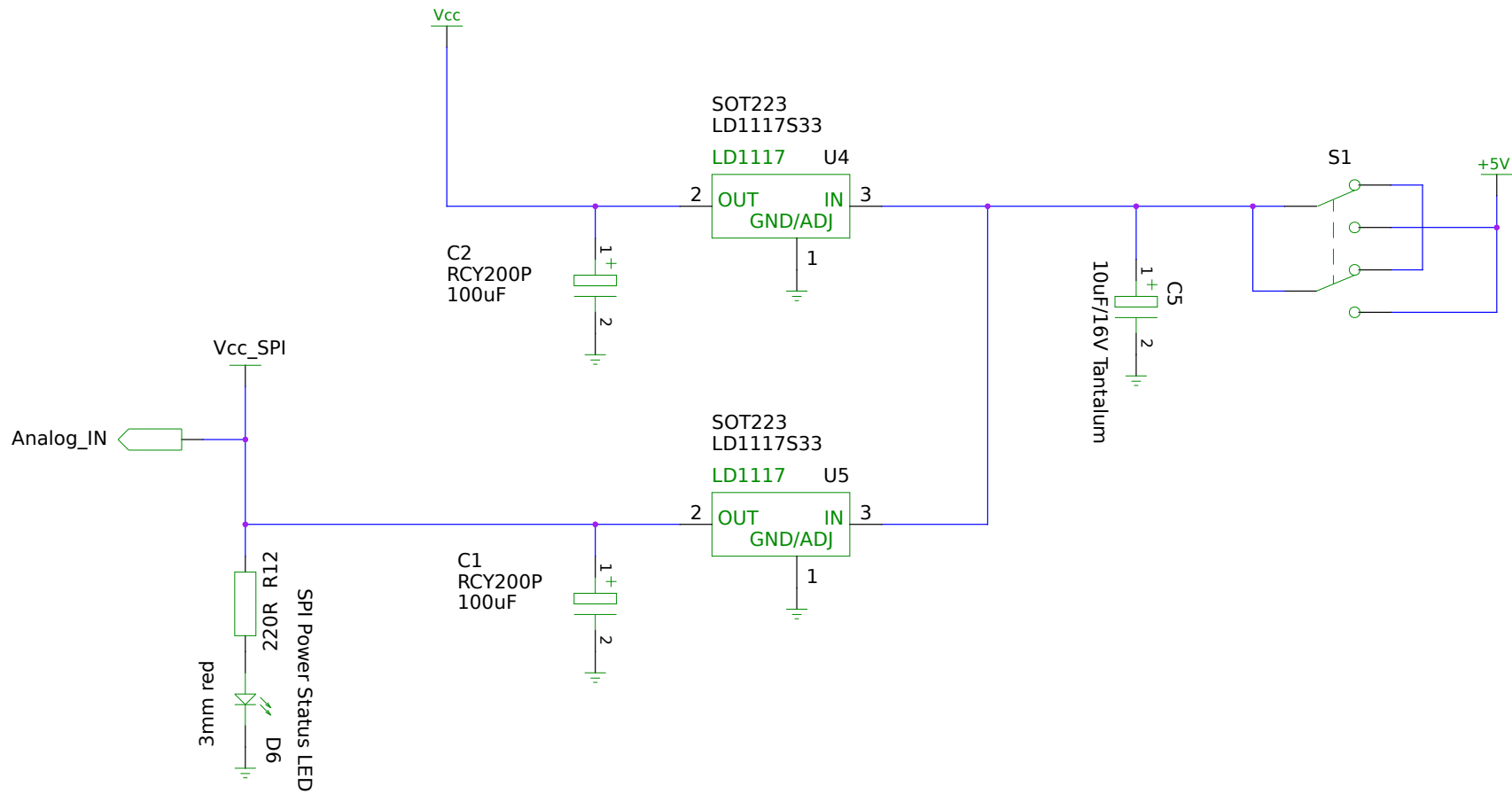
chips: 5V@100mA,
use one USB-Port

boards: 5V@500mA,
use external Adapter

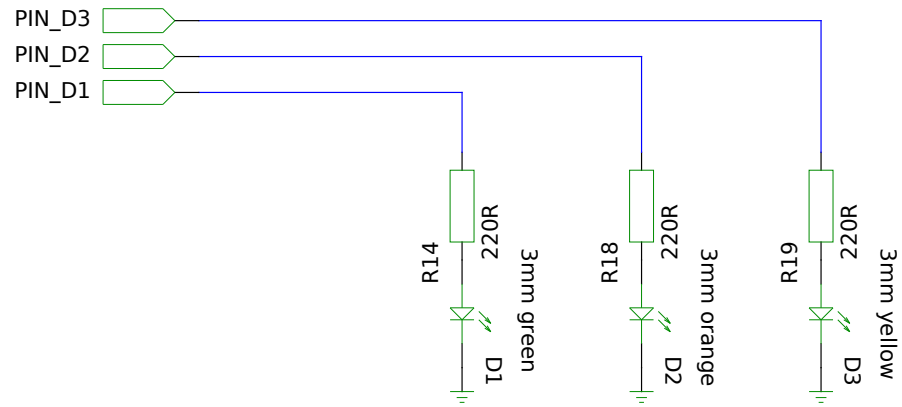
View from edge:
Pin 3 not connected.

GND-Sense

Power Input with Sense		Zerocat Chipflasher	
TITLE		Flash free firmware, kick the Management Engine. git://zerocat.org/zerocat/projects/chipflasher	
FILE:	testboard-page02.sch	REVISION:	v2.0.5-18-05a6c4fe7 (master)
PAGE	OF	DRAWN BY:	kmx



Power Switch and Voltage Regulators		Zerocat Chipflasher	
TITLE		Flash free firmware, kick the Management Engine. git://zerocat.org/zerocat/projects/chipflasher	
FILE:	testboard-page03.sch	REVISION:	v2.0.5-18-05a6c4fe7 (master)
PAGE	OF	DRAWN BY:	kmx



Software Status LEDs

Zerocat Chipflasher

Flash free firmware, kick the Management Engine.
[git://zerocat.org/zerocat/projects/chipflasher](https://zerocat.org/zerocat/projects/chipflasher)

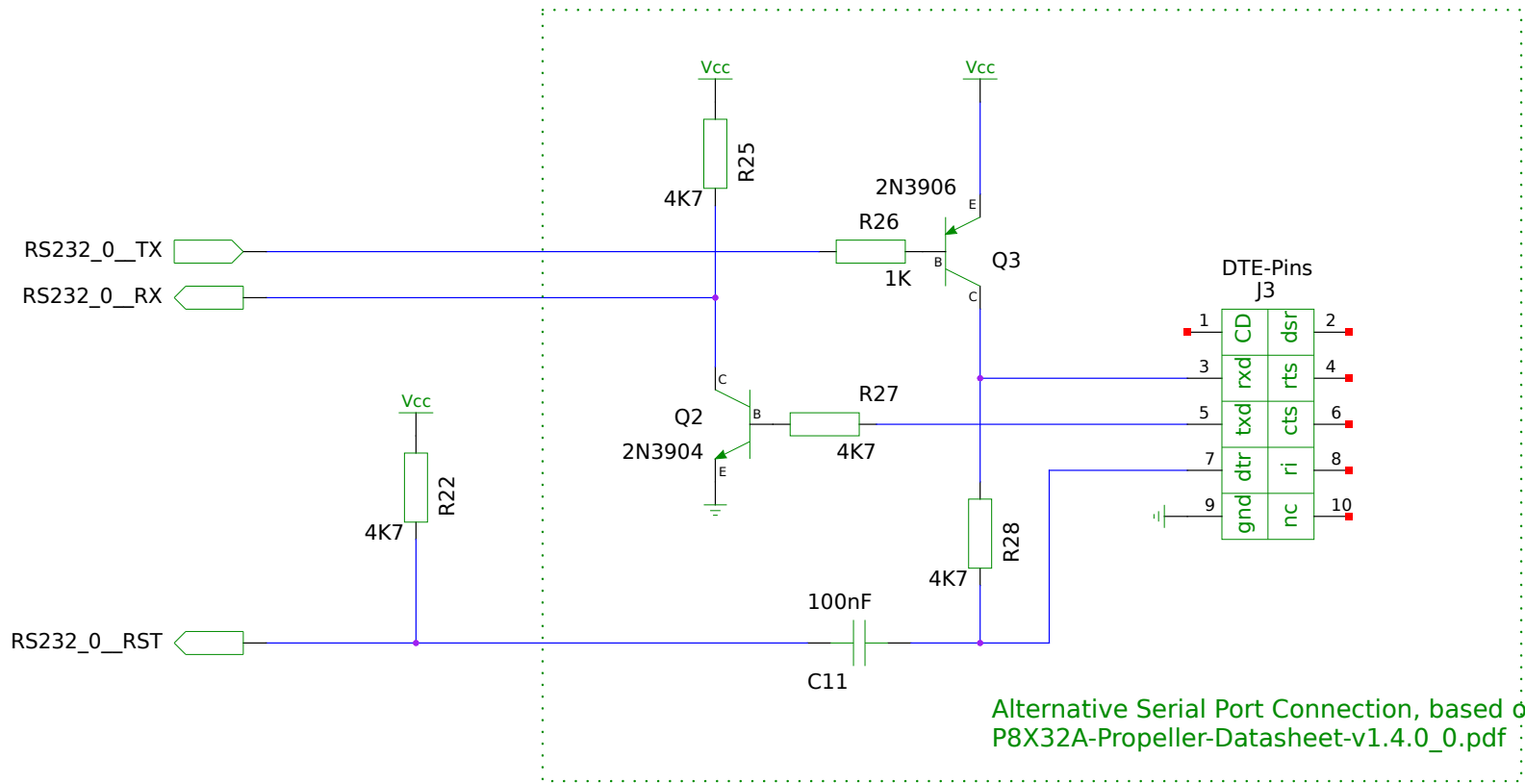
TITLE

FILE: testboard-page05.sch

REVISION: v2.0.5-18-05a6c4fe7 (master)

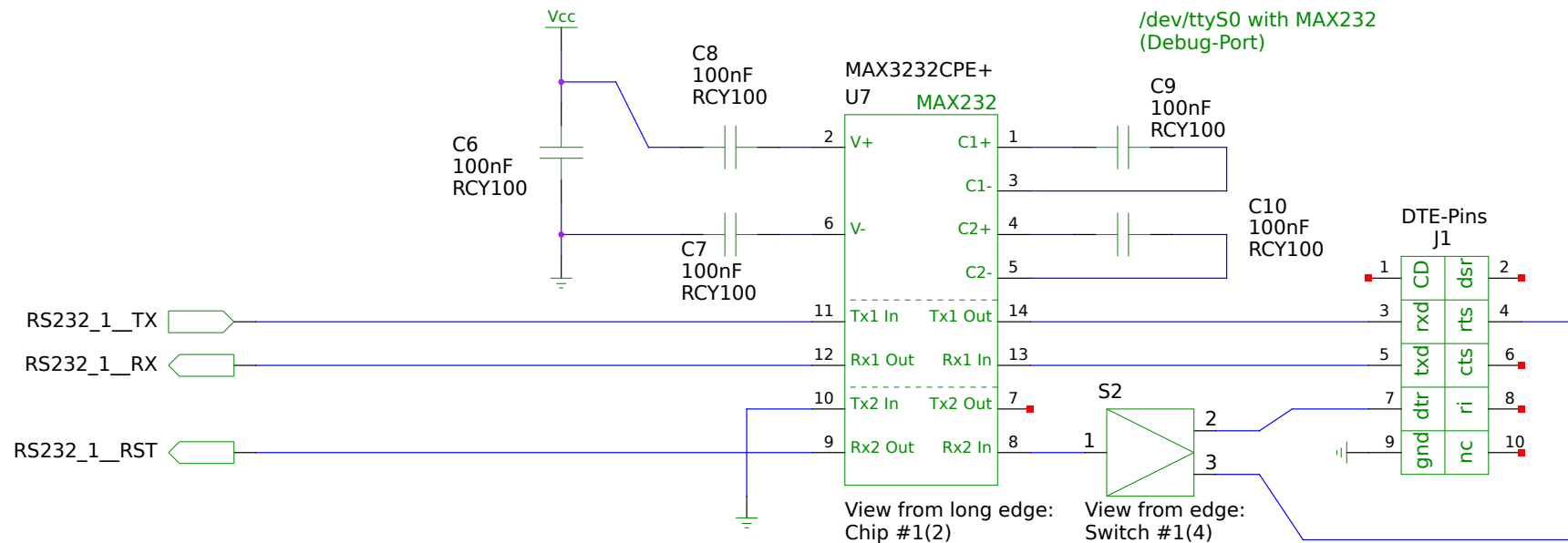
PAGE OF

DRAWN BY: kmx



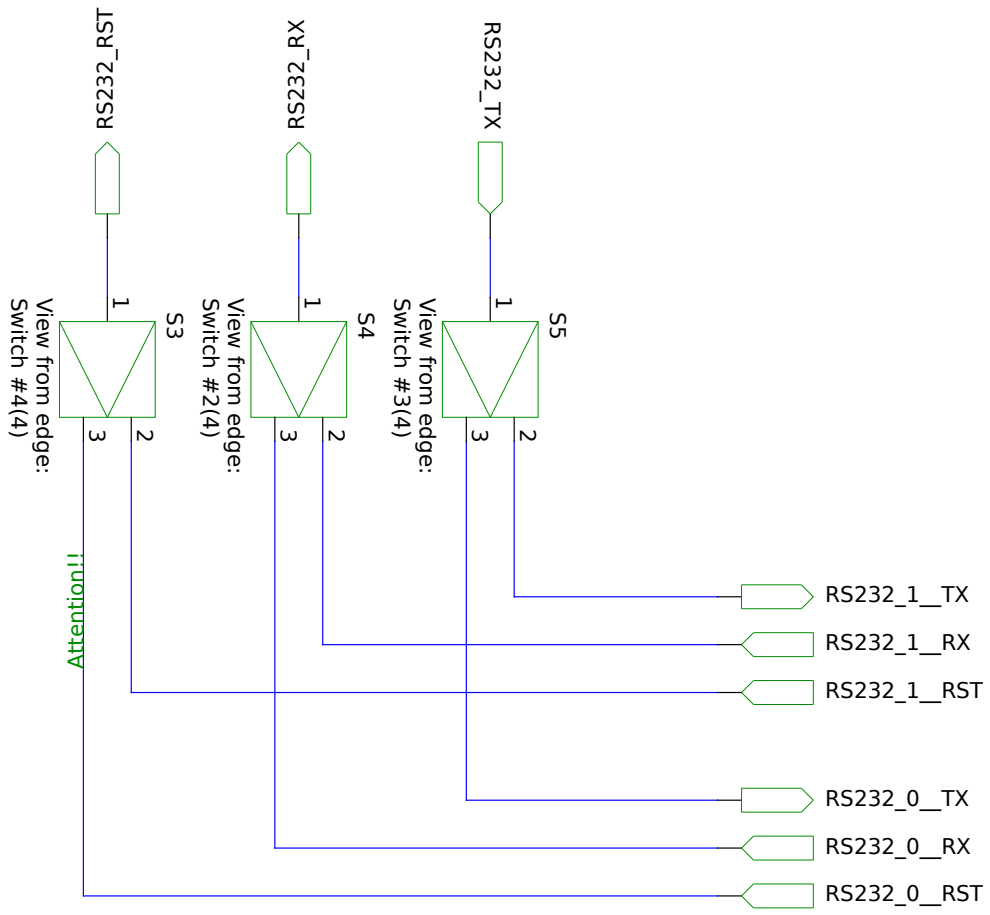
Alternative Serial Port Connection, based on P8X32A-Propeller-Datasheet-v1.4.0_0.pdf

RS232 Circuit #0		Zerocat Chipflasher	
		Flash free firmware, kick the Management Engine. git://zerocat.org/zerocat/projects/chipflasher	
TITLE		REVISION:	v2.0.5-18-05a6c4fe7 (master)
FILE:	testboard-page06.sch	DRAWN BY:	kmx
PAGE	OF		

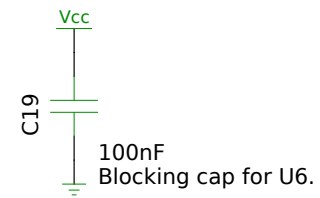
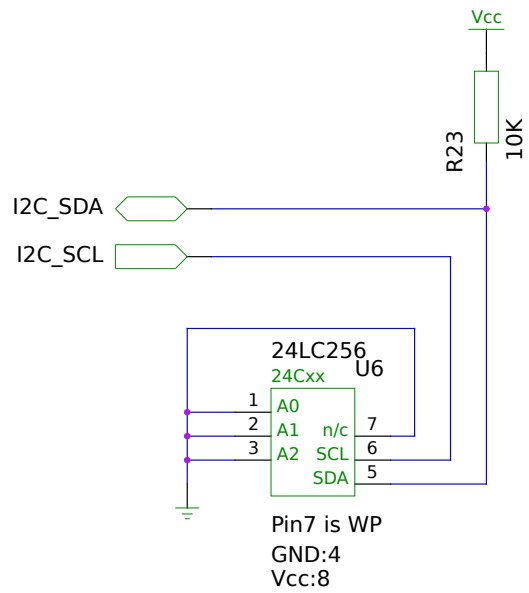


This circuit is generating RS232 voltages of about +/- 5.5VDC.

RS232 Circuit #1		Zerocat Chipflasher	
		Flash free firmware, kick the Management Engine. git://zerocat.org/zerocat/projects/chipflasher	
TITLE		REVISION:	v2.0.5-18-05a6c4fe7 (master)
FILE:	testboard-page07.sch	DRAWN BY:	kmx
PAGE	OF		



RS232 Circuit Selector		Zerocat Chipflasher	
		Flash free firmware, kick the Management Engine. git://zerocat.org/zerocat/projects/chipflasher	
FILE:	testboard-page08.sch	REVISION:	v2.0.5-18-05a6c4fe7 (master)
PAGE	OF	DRAWN BY:	kmx

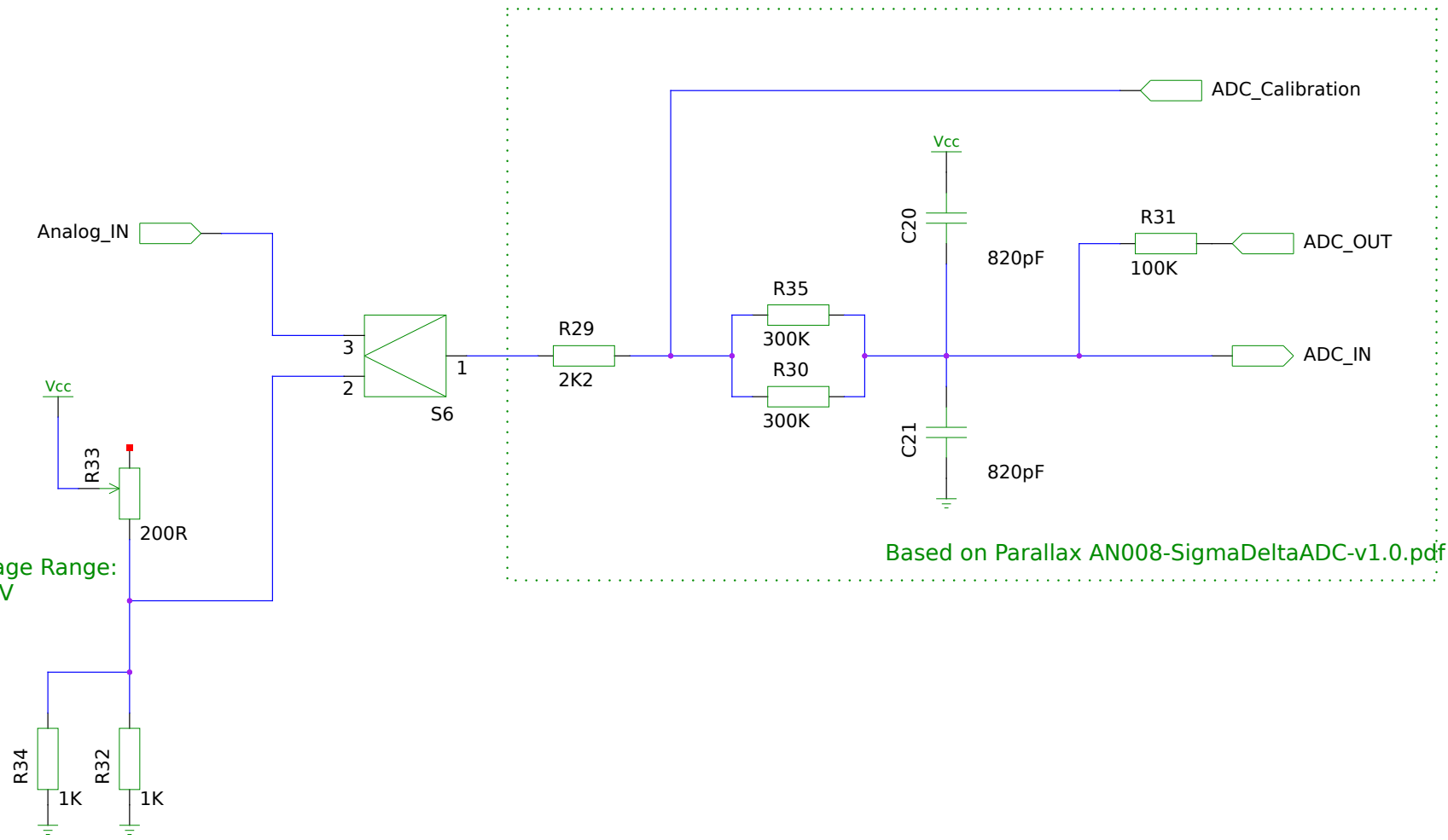


Serial EEPROM of a non-free Design, optional Zerocat Chipflasher

Flash free firmware, kick the Management Engine.

[git://zerocat.org/zerocat/projects/chipflasher](https://zerocat.org/zerocat/projects/chipflasher)

TITLE		
FILE:	testboard-page09.sch	REVISION: v2.0.5-18-05a6c4fe7 (master)
PAGE	OF	DRAWN BY: kmx



Based on Parallax AN008-SigmaDeltaADC-v1.0.pdf

Divider Voltage Range:
3.3V ... 2.35V

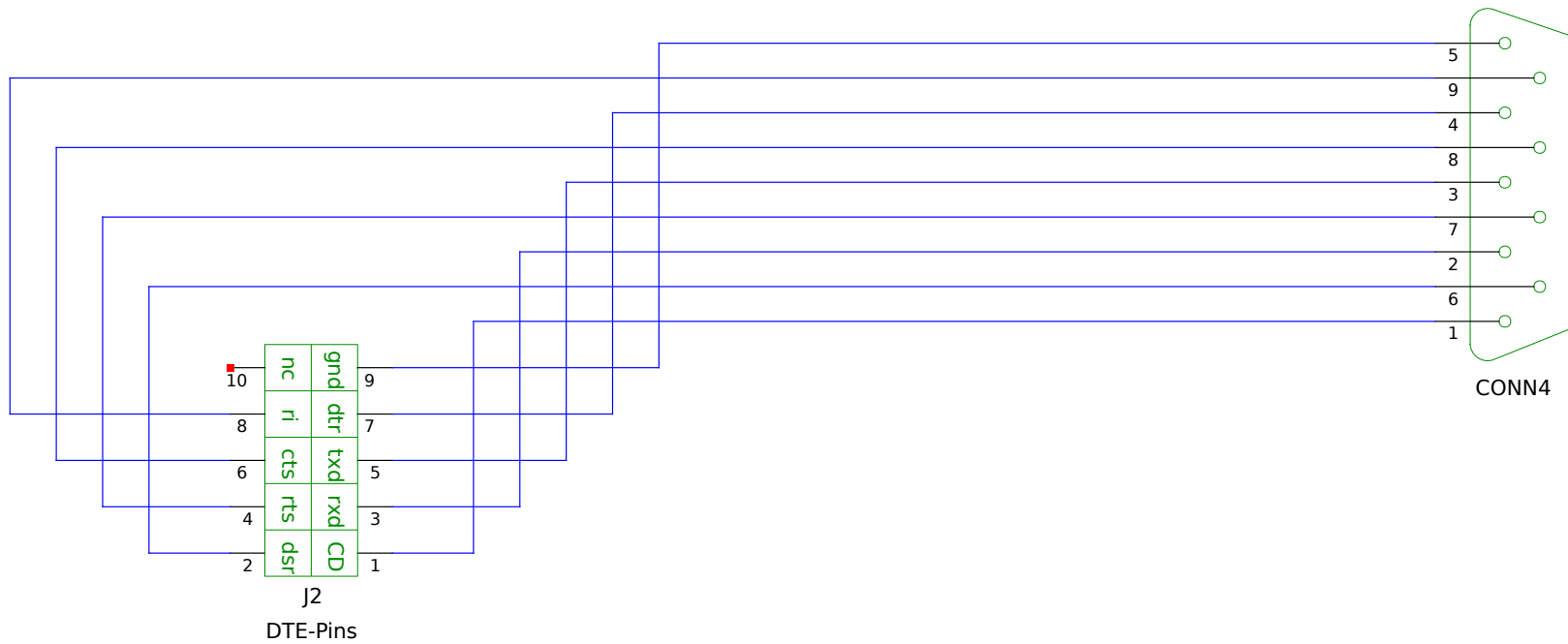
Sigma-delta ADC Circuit		Zerocat Chipflasher	
TITLE		Flash free firmware, kick the Management Engine. git://zerocat.org/zerocat/projects/chipflasher	
FILE:	testboard-page10.sch	REVISION:	v2.0.5-18-05a6c4fe7 (master)
PAGE	OF	DRAWN BY:	kmx

Note:

DTE = Data Terminal Equipment (Laptop)

DCE = Data Communication Equipment (Propeller)

DTR = Data Terminal Ready (Laptop is ready to send/receive)



RS232 Cable

Zerocat Chipflasher

Flash free firmware, kick the Management Engine.
[git://zerocat.org/zerocat/projects/chipflasher](https://zerocat.org/zerocat/projects/chipflasher)

TITLE		
FILE:	testboard-page11.sch	REVISION: v2.0.5-18-05a6c4fe7 (master)
PAGE	OF	DRAWN BY: kmx

CONN6
USB Plug Type A

Host

Chipflasher



1

2

3

4

CONN7
USB Plug Type A

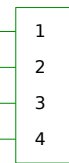


1

2

3

4



1

2

3

4

CONN8
USB Plug Type A

just power is used, no data wires necessary

Y-USB Power Cable

Zerocat Chipflasher

Flash free firmware, kick the Management Engine.
[git://zerocat.org/zerocat/projects/chipflasher](https://zerocat.org/zerocat/projects/chipflasher)

TITLE

FILE:

testboard-page12.sch

REVISION:

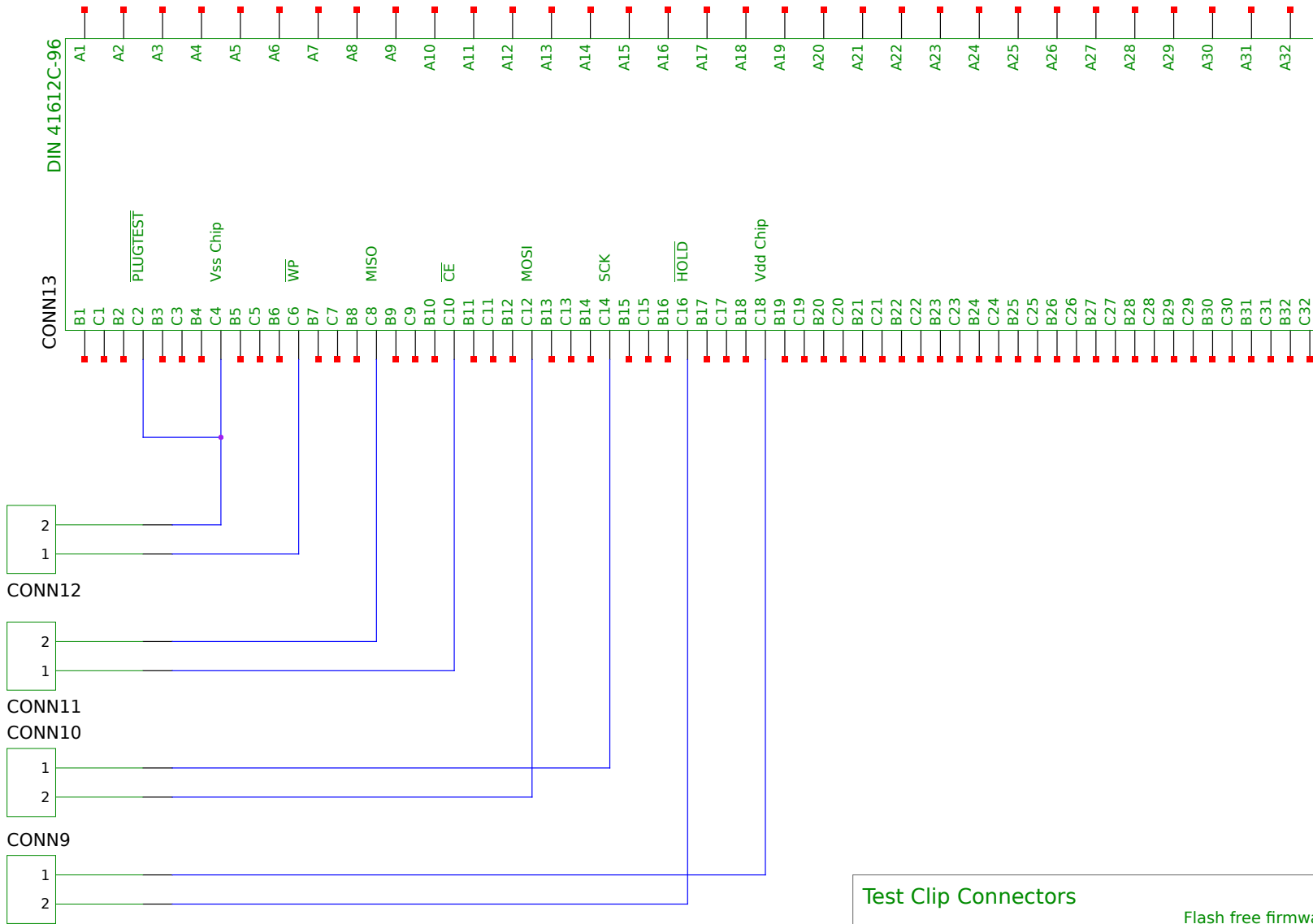
v2.0.5-18-05a6c4fe7 (master)

PAGE

OF

DRAWN BY:

kmx

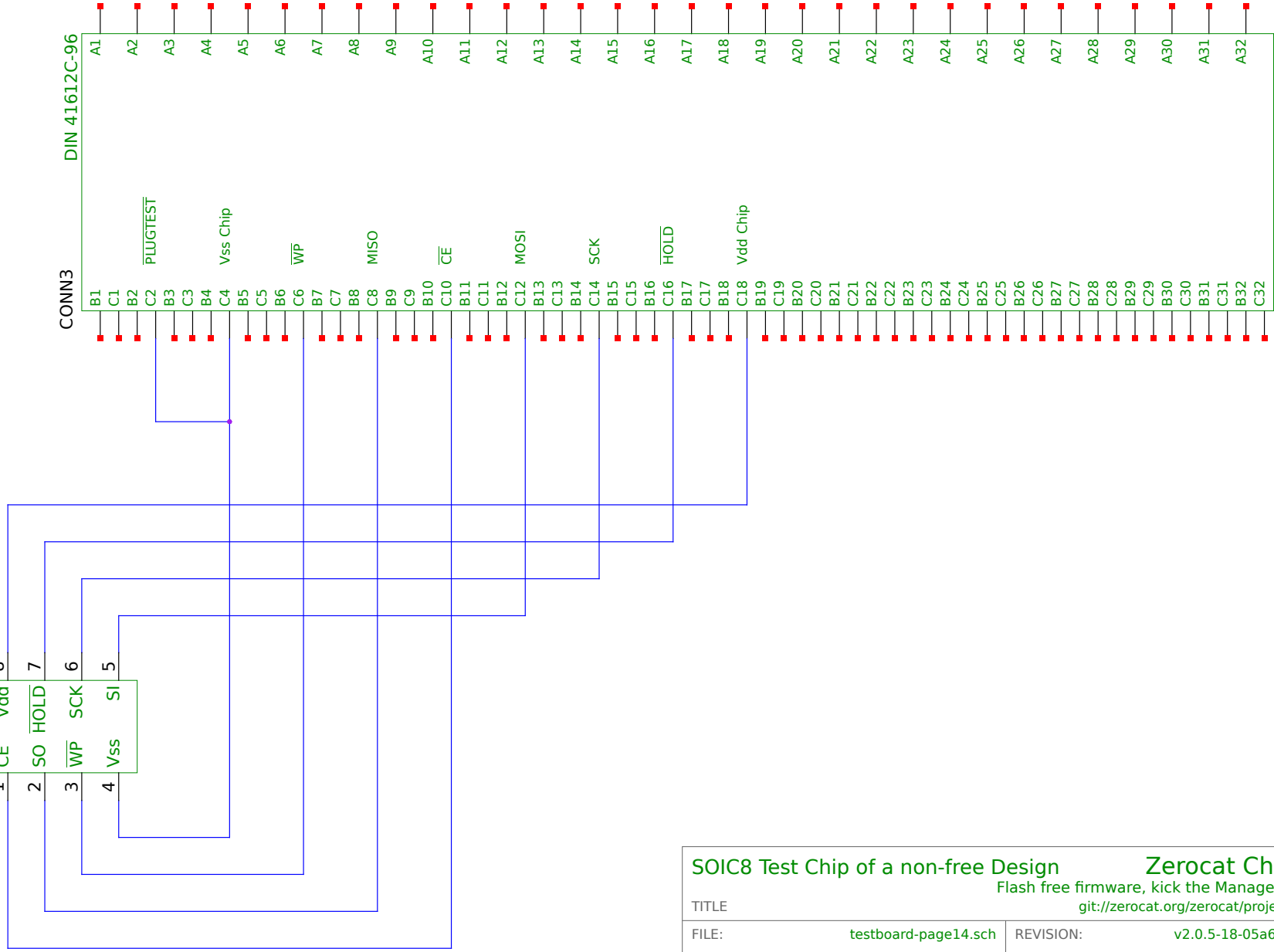


Test Clip Connectors		Zerocat Chipflasher	
TITLE		Flash free firmware, kick the Management Engine. git://zerocat.org/zerocat/projects/chipflasher	
FILE:	testboard-page13.sch	REVISION:	v2.0.5-18-05a6c4fe7 (master)
PAGE	OF	DRAWN BY:	kmx

SOIC8

Chips with same Pinout:
M95020W
MX25L1605D

SST25VF016B U8



SOIC8 Test Chip of a non-free Design

Zerocat Chipflasher

Flash free firmware, kick the Management Engine.

[git://zerocat.org/projects/chipflasher](https://zerocat.org/projects/chipflasher)

TITLE

FILE:

testboard-page14.sch

REVISION:

v2.0.5-18-05a6c4fe7 (master)

PAGE

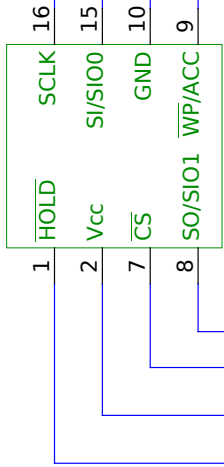
OF

DRAWN BY:

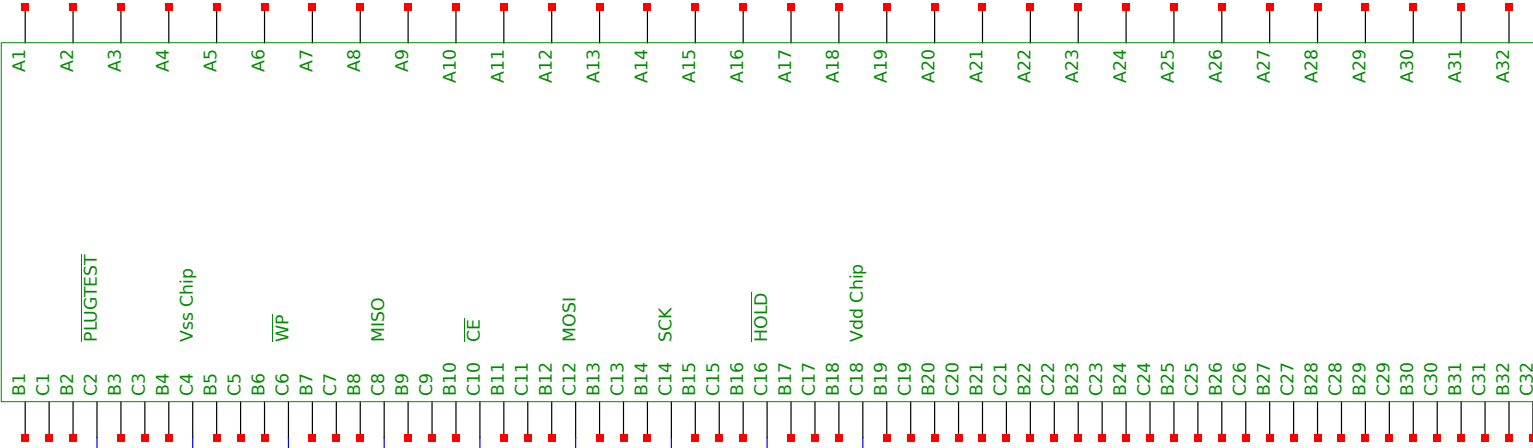
kmx

SOIC16

MX25L6405D U10



CONN5
DIN 41612C-96



SOIC16 Test Chip of a non-free Design ZeroCAT Chipflasher

Flash free firmware, kick the Management Engine.
[git://zerocat.org/zerocat/projects/chipflasher](https://zerocat.org/zerocat/projects/chipflasher)

TITLE			
FILE:	testboard-page15.sch	REVISION:	v2.0.5-18-05a6c4fe7 (master)
PAGE	OF	DRAWN BY:	kmx